

# FOUR-POST LIFTS

SM40/55

AR43/55

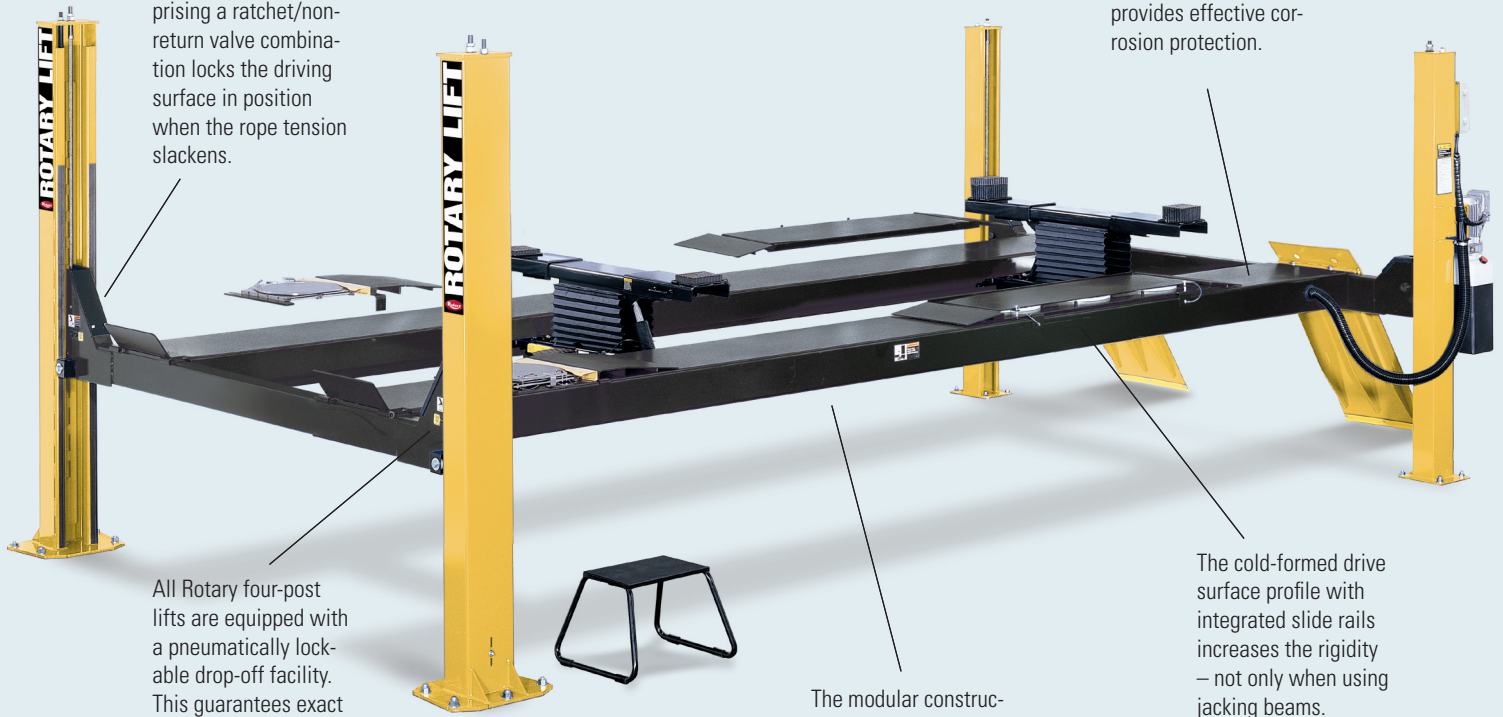


# SM40/SM55, AR43/AR55

THE ELECTRO-HYDRAULIC FOUR-POST LIFTS OF ROTARY LIFT ARE AVAILABLE IN NUMEROUS VERSIONS AND CAN BE TAILORED PERFECTLY TO FIT THE APPLICATION ENVIRONMENT. ALL THE SM MODELS ARE A PERFECT CHOICE FOR REPAIR WORK. THE AR43 AND AR55 ARE AVAILABLE FOR PRECISE AXLE MEASURING WORK.

The patented wire rope fracture protection (patent no. 6.446.757 USA) comprising a ratchet/non-return valve combination locks the driving surface in position when the rope tension slackens.

The drive surfaces are fitted with an extremely hard-wearing special coating by default. Apart from safe grip, the coating provides effective corrosion protection.



All Rotary four-post lifts are equipped with a pneumatically lockable drop-off facility. This guarantees exact axle measuring and a high degree of safety at the workplace.

The modular construction facilitates almost unlimited possibilities of expanding and upgrading the lift, e.g. with the measuring kit for the axle measuring lift.

The cold-formed drive surface profile with integrated slide rails increases the rigidity – not only when using jacking beams.

The figure shows SM55-51 with accessories.

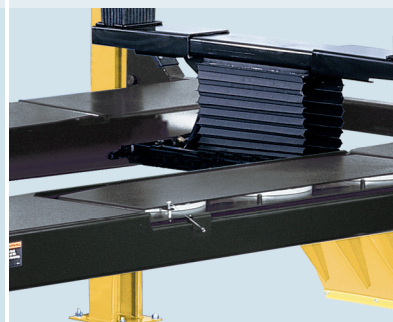
## DETAILS

Adjustable ratchet laths in the lifting columns provide for absolutely horizontal alignment of the lift – this is important for precise work when using the lift as axle measuring lift.

The functions lifting, lowering and lowering to the drop-off facility can be controlled conveniently via the operating controls.

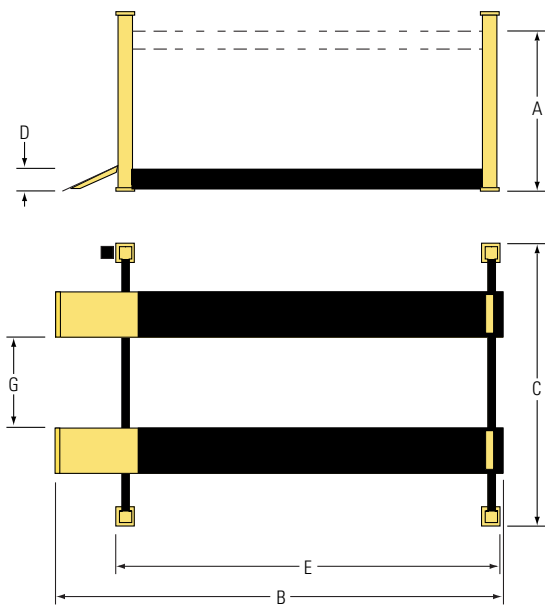
The AR models are equipped with flush balance plates and recesses for rotary plates.

The maintenance-free lifting cylinder is mounted below the drive surface and thus protected against external forces.



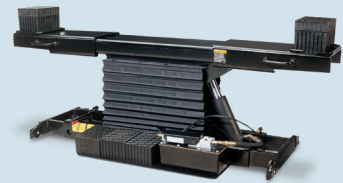
Model:	SM40-43	SM55-45	SM55-51	SM55 W51	AR43-5	AR55-45	AR55-51	AR55W51
Capacity	4000 kg	5500 kg	5500 kg	5500 kg	4000 kg	5500 kg	5500 kg	5500 kg
A. Stroke	1996 mm	1873 mm	1873 mm	1873 mm	1996 mm	1873 mm	1873 mm	1873 mm
B. Overall length with drive on ramps	5300 mm	5750 mm	6350 mm	6350 mm	6950 mm	5750 mm	6350 mm	6350 mm
C. Overall width	3088 mm	3088 mm	3088 mm	3088 mm	3088 mm	3088 mm	3088 mm	3088 mm
D. Ascending height	178 mm	178 mm	178 mm	178 mm	178 mm	178 mm	178 mm	178 mm
E. Platform length	4250 mm	4450 mm	5061 mm	5061 mm	5232 mm	4450 mm	5061 mm	5061 mm
F. Platform width	508 mm	508 mm	508 mm	660 mm	508 mm	508 mm	508 mm	660 mm
G. Platform spacing	889 mm	889 mm	889 mm	889 mm	889 mm	889 mm	889 mm	889 mm
Wheel bases, axle measuring	-	-	-	-	1781-3908 mm	2100-3250 mm	2100-3250 mm	2100-3250 mm
Installation depth of the rotary plates	-	-	-	-	50 mm	38 mm	38 mm	38 mm
Motor performance	2,2 kW	2,2 kW	2,2 kW	2,2 kW	2,2 kW	2,2 kW	2,2 kW	2,2 kW
Electrical connection (3 phases)	230/400 V, 50 Hz	230/400 V, 50 Hz	230/400 V, 50 Hz	230/400 V, 50 Hz	230/400 V, 50 Hz	230/400 V, 50 Hz	230/400 V, 50 Hz	230/400 V, 50 Hz
Lifting time	50 sec.	55 sec.	55 sec.	55 sec.	50 sec.	55 sec.	55 sec.	55 sec.
Lowering time	50 sec.	55 sec.	55 sec.	55 sec.	50 sec.	55 sec.	55 sec.	55 sec.

**SM** standard  
**AR** for axle measuring



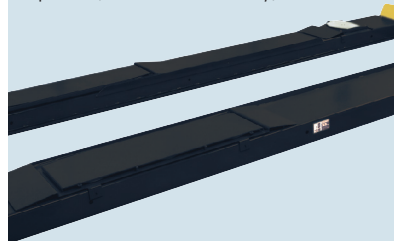
## ACCESSORIES

Jacking beam, capacity 2800 kg

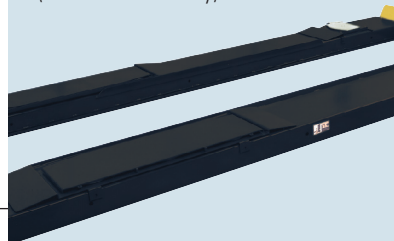


## OPTIONS

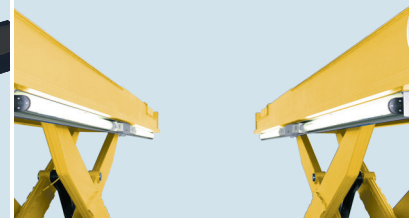
Measuring kit for screw-fastening, incl. 2 rotary plates and 2 balance plates (for SM models only)



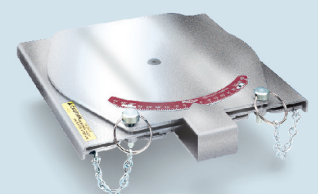
Measuring kit like above but with 2 stainless steel rotary plates (for SM models only)

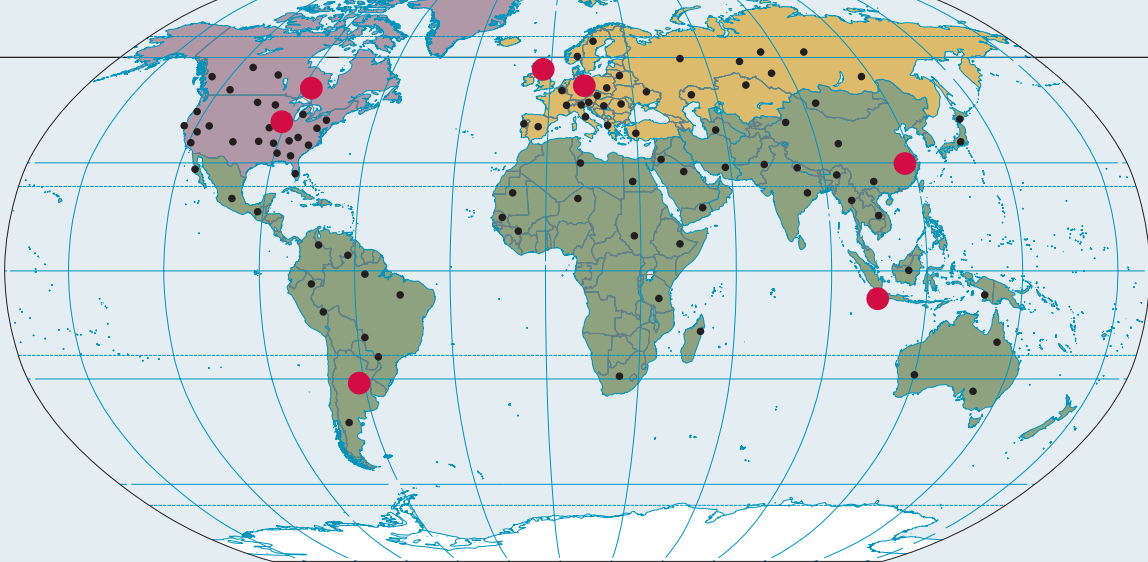


Lighting kit made up of 4 fluorescent tubes



Rotary plate kit, 2 units (for SM models only)





## LOOK LOCAL - ACT GLOBAL

WE ACT WITH FOCUS ON OUR CUSTOMERS AND THEIR REQUIREMENTS. LOCAL SUBSIDIARIES WORLDWIDE PERMIT US TO DO SO, AND AT THE SAME TIME, OFFER A HIGH DEGREE OF PRODUCT FLEXIBILITY.

Rotary Lift's story of success started in 1924. Inspired by a barber chair rising in the air, company founder Peter Lunati developed the world's first vehicle lift. The lift could rotate. This design made it possible for vehicles to drive on and off the lift in forward gear. An important argument considering the frequent problem of reversing at that time. The patent for the lift was granted on September 1, 1925 and Rotary Lift – the company – was born.

Over 75 years later, Rotary Lift has grown to become the world leader in vehicle lift productivity. Apart from the headquarters in Madison, Indiana (USA) and the European Control Center in Bräunlingen, Germany, numerous global subsidiaries attend to the desires and requirements of our customers.

With this unique network, Rotary Lift has the opportunity of analyzing and recognizing market trends at an early stage and of applying that knowledge to generate global standards. Worldwide product releases of numerous vehicle manufacturers emphasize this approach.



**Headquarter**  
Madison, IN USA

**European Control Center**  
Bräunlingen, Germany

**Rotatable**  
One of the first lifts of Rotary Lift



BlitzRotary GmbH  
Hüfanger Straße 55  
D-78199 Bräunlingen  
A **DOVER** COMPANY

Telefon +49.771.9233.0  
Telefax +49.771.9233.99  
europe@rotarylif.com  
www.rotarylif.com

USA: +1.812.273.1622 (Headquarter)  
Canada: +1.905.812.9920  
United Kingdom: +44.178.747.7711  
AustralAsia: +60.3.7660.0285

